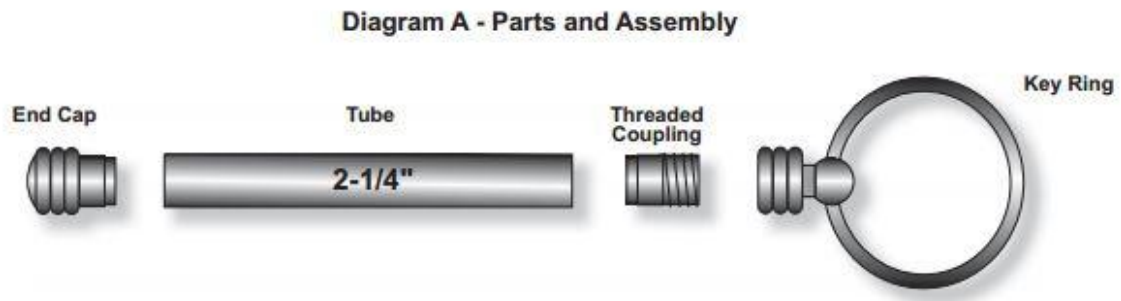


ASSEMBLY INSTRUCTIONS FOR THE "HIDDEN COMPARTMENT KEYCHAIN"

PARTS



ASSEMBLY INSTRUCTIONS

1. Press the end cap into one end of the keychain tube. (Note: you may need to apply a bit of force to do this. I recommend a rubber mallet)
2. Press the threaded coupling into the opposite end of the tube.
3. Screw the key ring onto the threaded coupling.